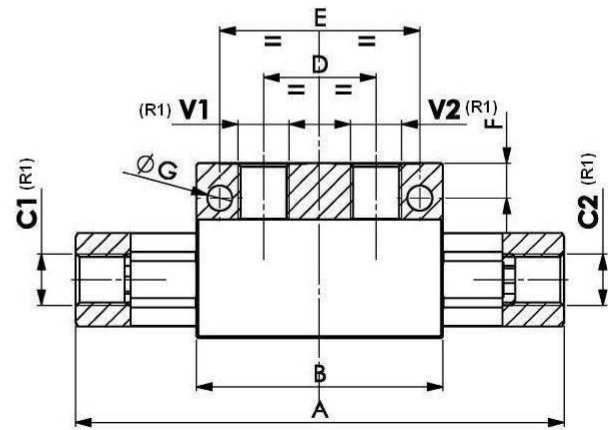
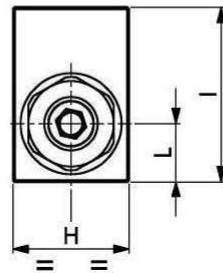
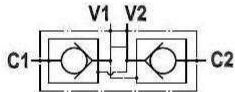
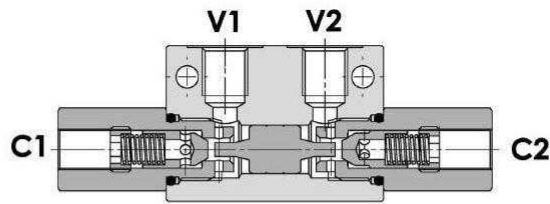


# Hydro pilot operated double check valves in block (in T)



**Material** Body in Steel

**Cracking Pressure** 2 bar

| Part n°             | R1       | Max. flow (l/min) | Max. Press. (bar) | Pilot ratio | ØG  | A   | B    | D  | E    | F  | H  | I  | L  |
|---------------------|----------|-------------------|-------------------|-------------|-----|-----|------|----|------|----|----|----|----|
| <b>FPD 1/4</b>      | 1/4" BSP | 12                | 350               | 1:4         | 6.5 | 126 | 63.6 | 29 | 51.6 | 9  | 30 | 45 | 15 |
| <b>FPD 3/8-20 L</b> | 3/8" BSP | 20                | 300               | 1:4         | *   | 126 | 63.6 | 29 | *    | *  | 30 | 45 | 15 |
| <b>FPD 3/8</b>      | 3/8" BSP | 30                | 300               | 1:6         | 8   | 158 | 90   | 40 | 75   | 17 | 40 | 60 | 20 |
| <b>FPD 1/2</b>      | 1/2" BSP | 45                | 300               | 1:4         | 8   | 174 | 90   | 40 | 75   | 17 | 40 | 60 | 20 |
| <b>FPD 3/4</b>      | 3/4" BSP | 85                | 280               | 1:3.6       | 9   | 212 | 120  | 60 | 104  | 16 | 50 | 70 | 25 |

\* Valve FPD 3/8-20L is supplied without fixing holes