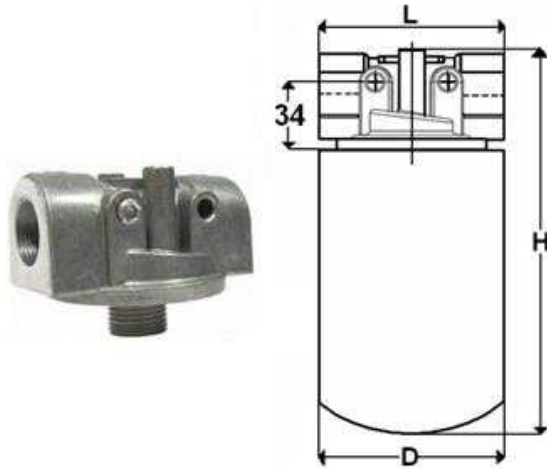
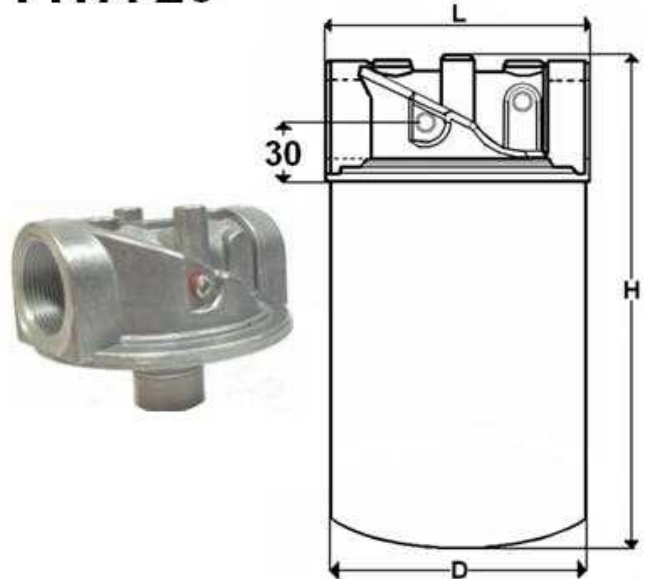


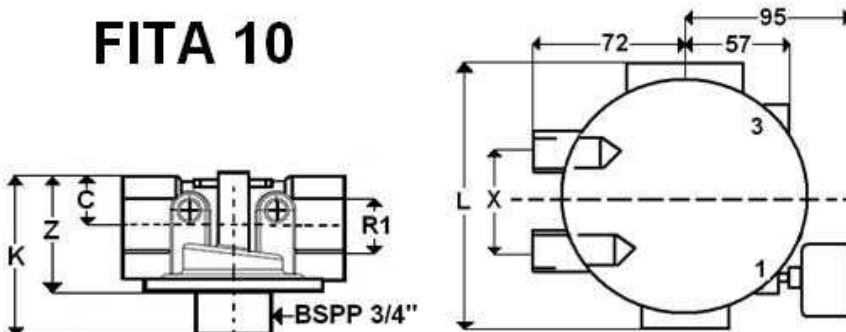
### FITA 10



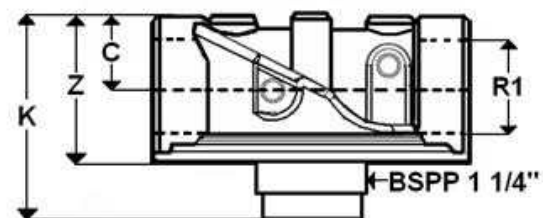
### FITA 20



### FITA 10



### FITA 20



**Materials:** die cast aluminium head

**By-pass:** -in Suction line= 0,2 bar  
-in Return line=1 bar

**As per NFPA T 3.10.17:** Max.pressure:10 bar  
Test pressure: 15 bar  
Burst pressure:20 bar

**Max. Temperature:** 80°C

Part n°	R1	Type	Cartridge	C	D	H	K	L	X	Z
<b>FITA10/11A</b>	3/4" BSP	Suction	SPA-1-10	22	93	150	67	95	38	51
<b>FITA20/21A</b>	1"1/4 BSP	Suction	SPA-1-20	29	129	249	100	132	50	64
<b>FITA10/11R</b>	3/4" BSP	Return	SPA-1-11	22	93	150	67	95	38	51
<b>FITA20/21R</b>	1"1/4 BSP	Return	SPA-1-21	29	129	249	100	132	50	64