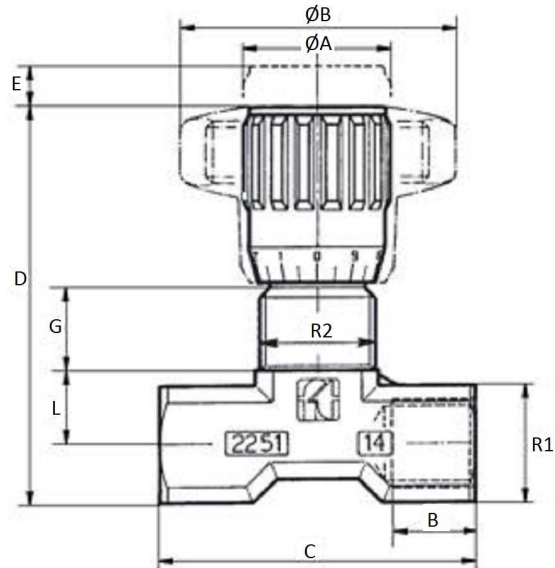
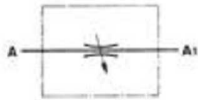


Hydraulic Valves

Flow control valve

Bidirectional flow control valve

Page: 1/1



OR Nitrile

Antiextrusion ring PTFE

Ball Guide: Nylon 66 + Carbon Fiber

Working temperature: -20°C/100°C

Body: OT 58 - UNI 5705. Nickel plated

Part n°	R1	R2	Max. flow (l/min)	Max. Press. (bar)	Filtration degree	ØA	ØB	B	C	D	E	G	L
FT251B04	1/4" BSP	M17x1	12	350	25	Ø22	Ø40	12	46	57	4.5	11,5	11.5
FT251B06	3/8" BSP	M20x1	30	350	25	Ø27	Ø50	13	55	69	7	12,5	15
FT251B08	1/2" BSP	M25x1,5	45	350	25	Ø33	Ø70	16	70	82	10	13	19
FT251B12	3/4" BSP	M30x1,5	85	350	25	Ø38	Ø80	20	91	100	12	15	22
FT251B16	1" BSP	M40x1,5	125	350	25	Ø47	-	20	143	122.2	12	-	-